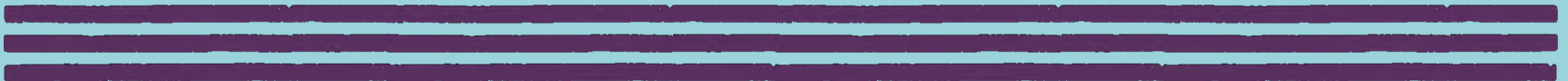


Haygrove



Moscow – February 2019

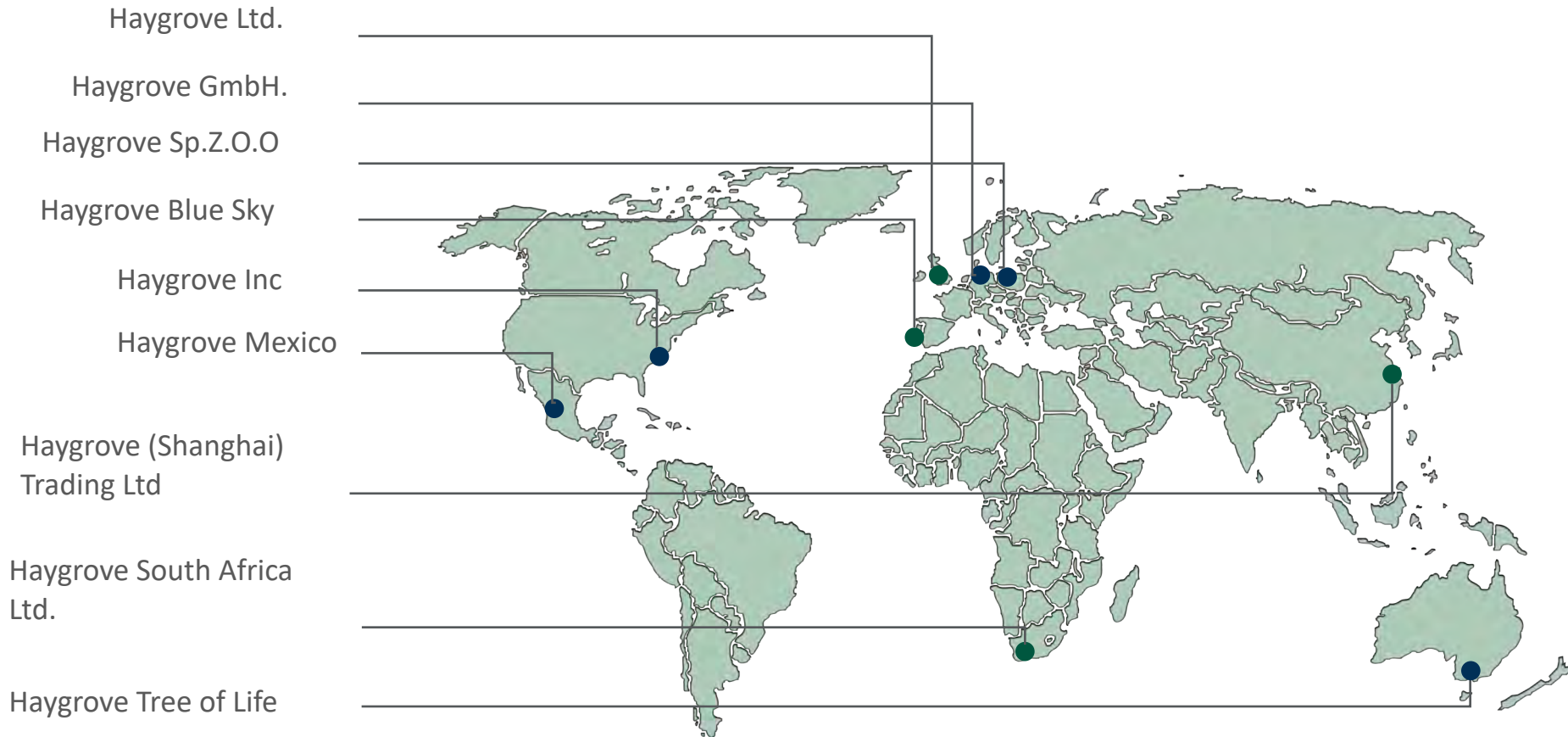


Haygrove

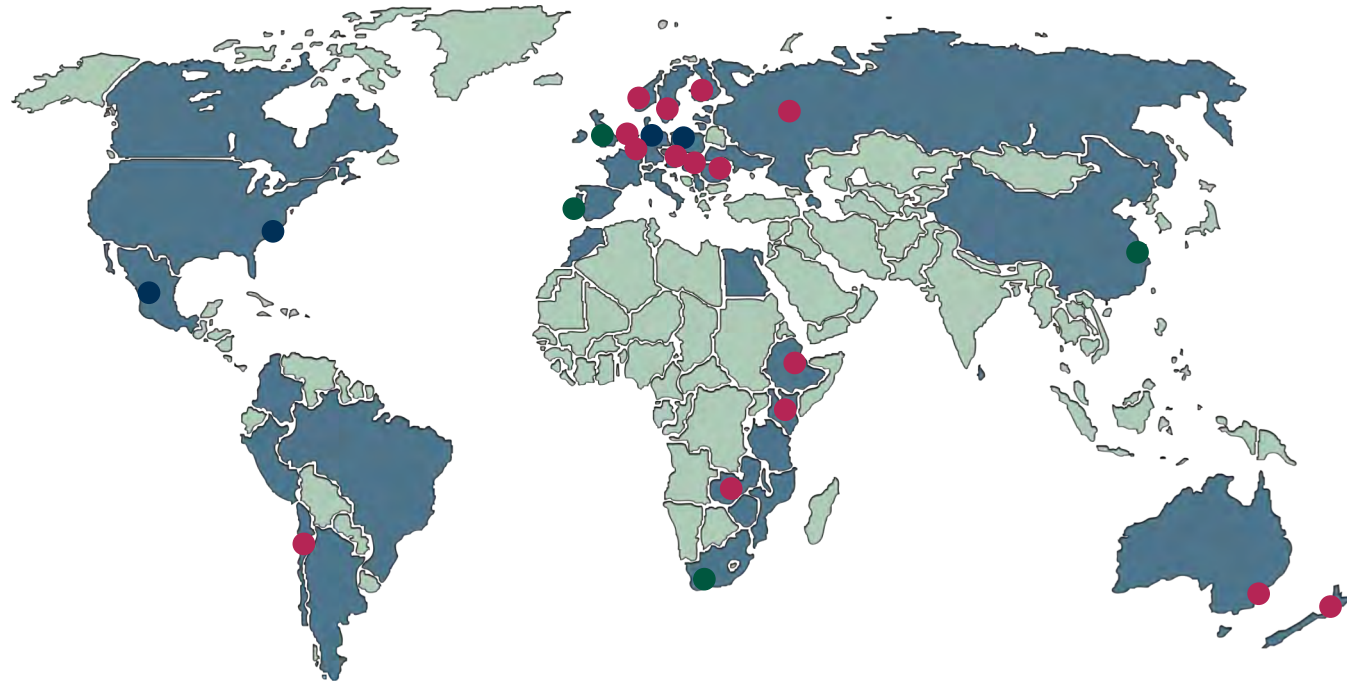
Haygrove have been growing berries, cherries and organics for over 20 years, and our farms now total nearly 500ha. We also design and manufacture field scale commercial polytunnels, substrate and associated growing systems for many of the best growers in the world.



We have designated farms and offices throughout the world...



...and we innovate, manufacture and sell Growing Systems to over 50 countries.



Our Farms



We have farms in the UK, South Africa, Portugal and China, and we supply high quality, year-round berries, cherries and organics to leading retailers. Our model is to constantly improve growing systems for the benefit of our customers by understanding the commercial pressures of growing ourselves.





UK

- Established. 1988
- 188 ha protected cropping (38ha organic)
- 75% own plant propagation
- 3 main farms & 8 growing locations
- 1,680 peak staff
- 4500 tonnes
- 3 formal partnerships



South Africa

- Established. 2001
- 237 ha protected cropping
- 3 main farms & 6 growing locations
- 3,985 peak staff
- 3000 tonnes
- 5 formal partnerships



Portugal

- Acquired 2015
- 68 ha protected cropping
- 520 staff
- 1 farm



China

- Acquired 2016
- 20 ha protected cropping
- 50 staff
- 1 farm

Our Growing Systems



We constantly innovate. We test our new products on our own farms commercially before supplying them to growers of over 30 crops in over 50 countries. Our Growing Systems consist of polytunnels, substrate systems, crop support systems and coir..

Many of the world's Top growers use tunnels to manage climate when producing excellent yields of high quality fruit in windows when the market needs it most.



Uk Strawberry developments - 1996-2015

- **1996**
- 40,000t production in June/July
- 25% marketed through supermarkets
- Average yield 9.9t/ha

- **2015**
- 115,500t production in April - October
- 60% marketed through supermarkets
- Average yield 22.3t/ha



What has driven uk growth?

- Development of polytunnels – 95% berries covered – consistency of supply
- Wholesalers/supermarkets confident in supply and fully commit to promoting
- Development of commercial autumn fruiting varieties, both raspberries and strawberries
- Development of new varieties with improved yield and quality
- Use of substrate to provide consistent and soil-borne disease free environment
- Availability of adequate supply of seasonal labour
- Expect 80% of strawberry production to be in substrate by 2020
- National body representing the berry industry



Why have
this....



When your
customers want
this ?



Benefits to the grower

- **Extend the season. Start earlier, finish later**

- to deliver longer programmes to customers and benefit from higher prices.

- **Weather protection**

- eliminate risk to frost, rain and wind damage

- **Higher class one yield**

- Examples:

- Raspberries; +34% increase in class one yield
- Sugar snap peas; 65% increase in export yield

Class one yields increased due to protection of blossom, better pollination and growing environment



Benefits to the grower

- **Environmental control**

- full venting and shading for control of temp and humidity

- **Better harvest management**

- removes weather dependence at picking and during production

- **Lower disease pressure**

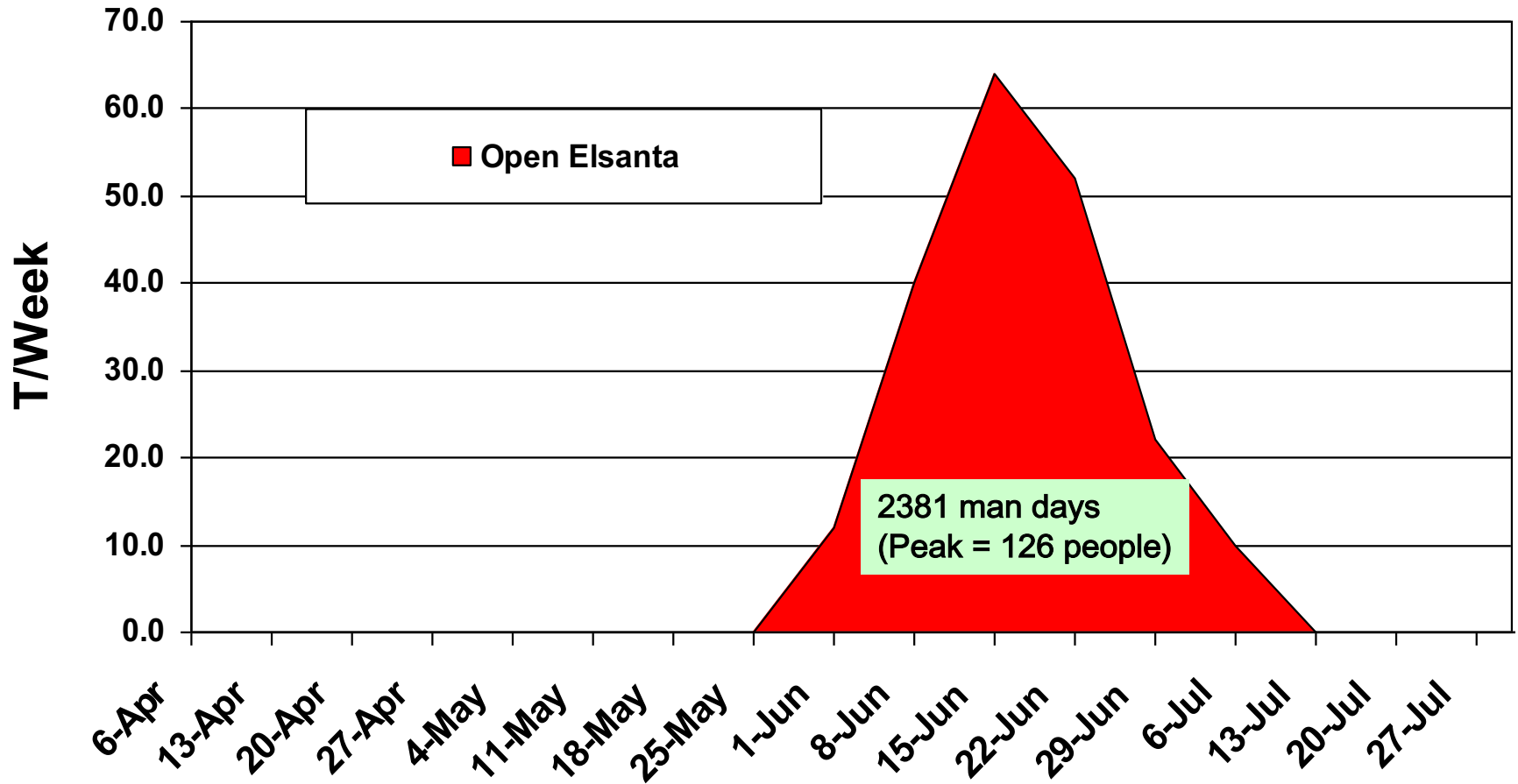
- specifically for moisture related diseases. Better environment for biological control

- **Continuity of supply to the customer**

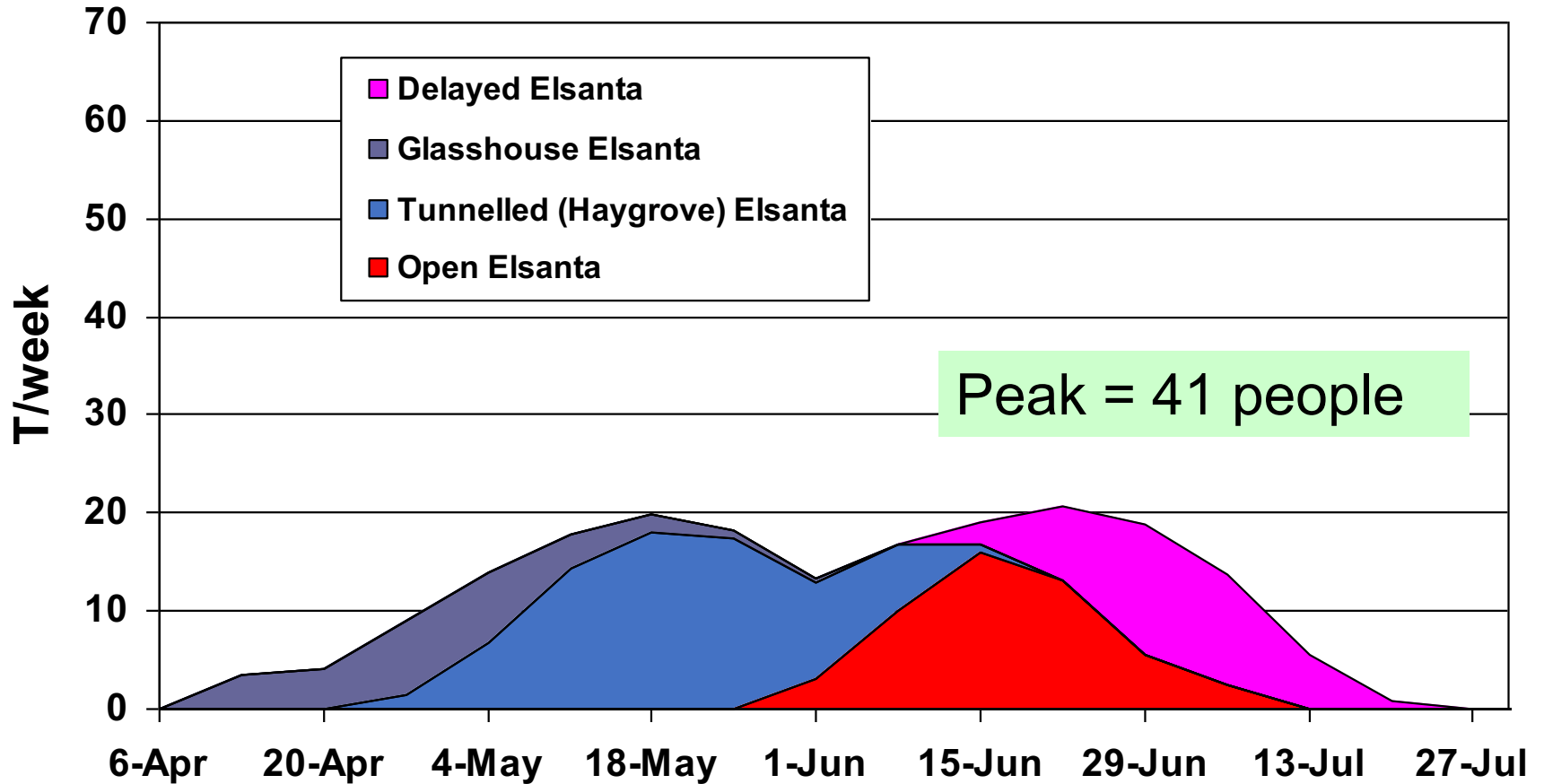
- have an advantage over your competitors.



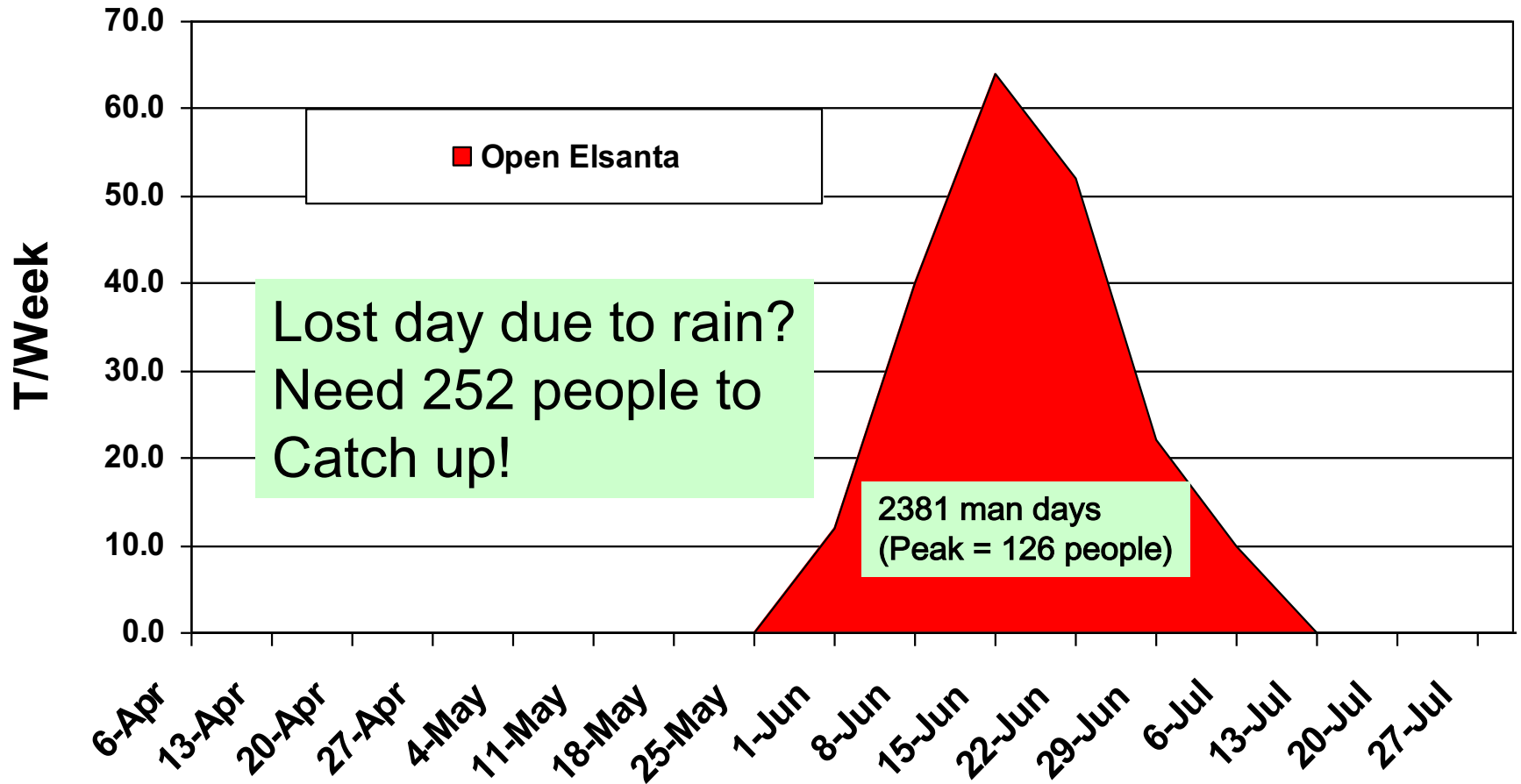
How to pick 200 tonnes of Strawberries?



pick 200 tonnes of STRAWBERRIES?

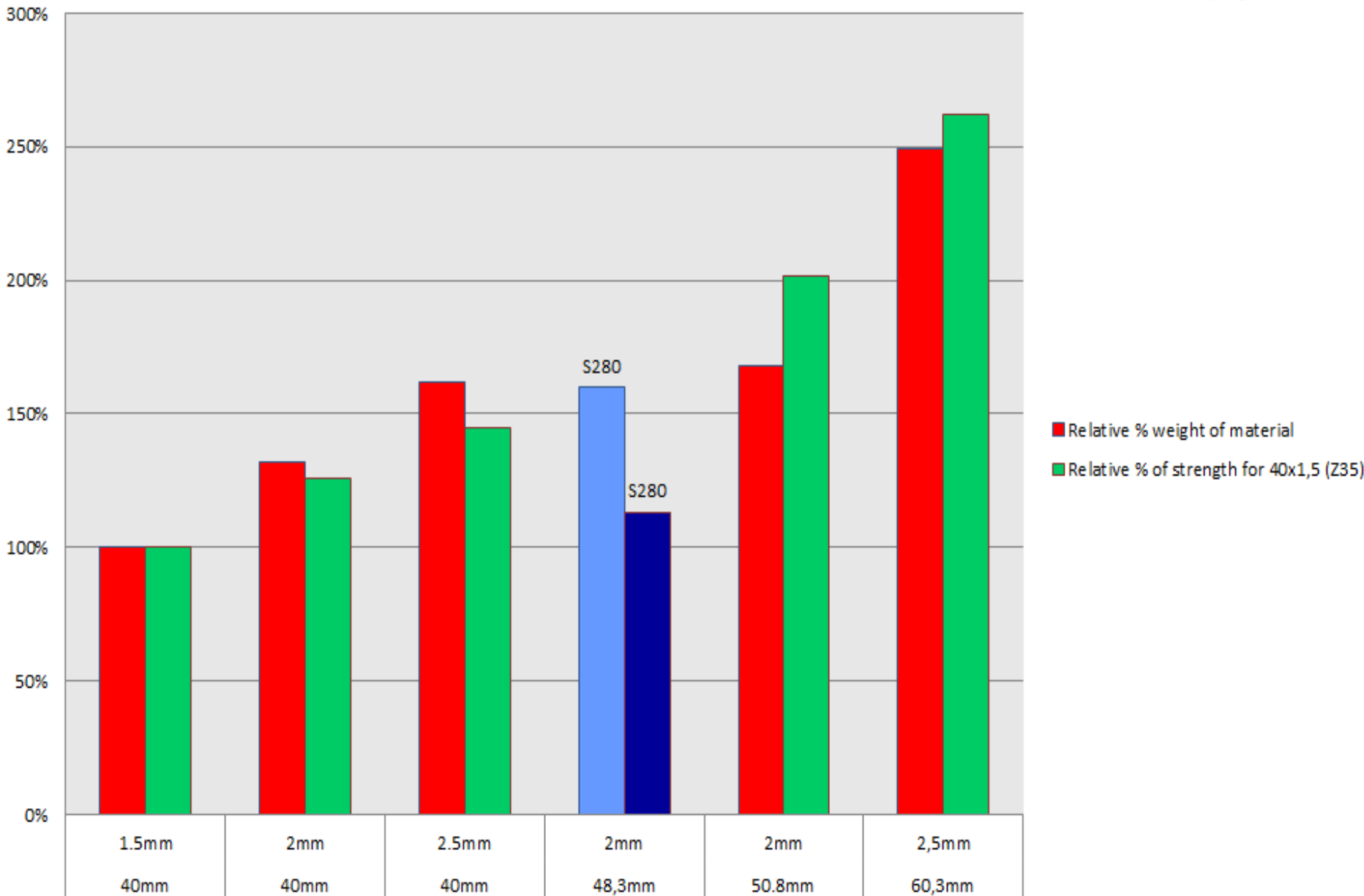


How to pick 200 tonnes of Elsanta?



Steel Strength

Relative % Weight vs Relative % Strength



Our tunnel range

Multi bay tunnels

Solo tunnels



Multi-Bay Range



- Pioneer Tunnels – HSO80
- 2.75m Y leg
- 8-9.5m bays
- Gothic Plus Profile
- Roller door options – electric or manual
- Rainwater gutter options
- Roof venting options – electric or manual

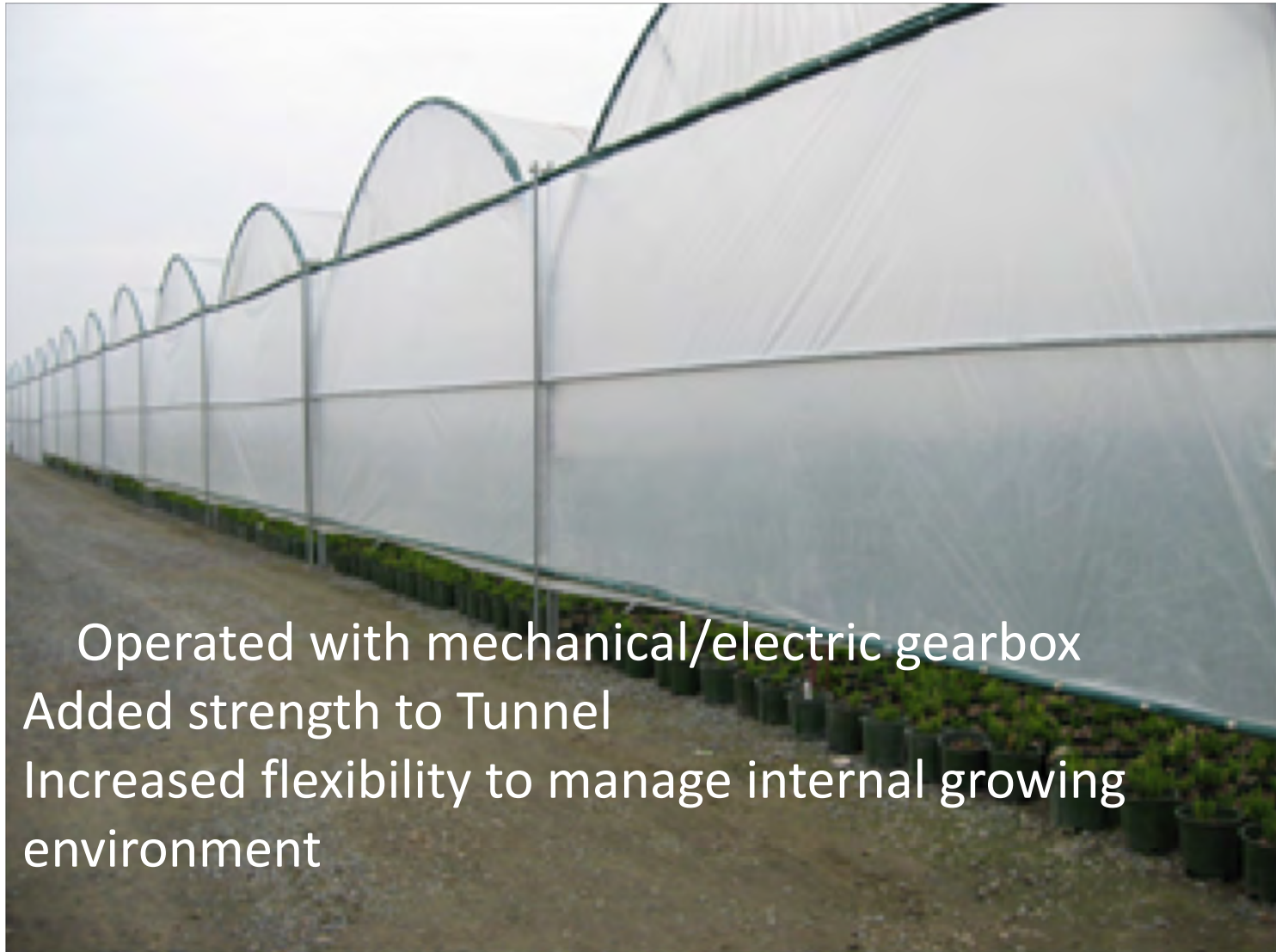
Fully
sealed



Automated Roof venting



Roller doors



Operated with mechanical/electric gearbox
Added strength to Tunnel
Increased flexibility to manage internal growing environment

Solo Tunnel Range

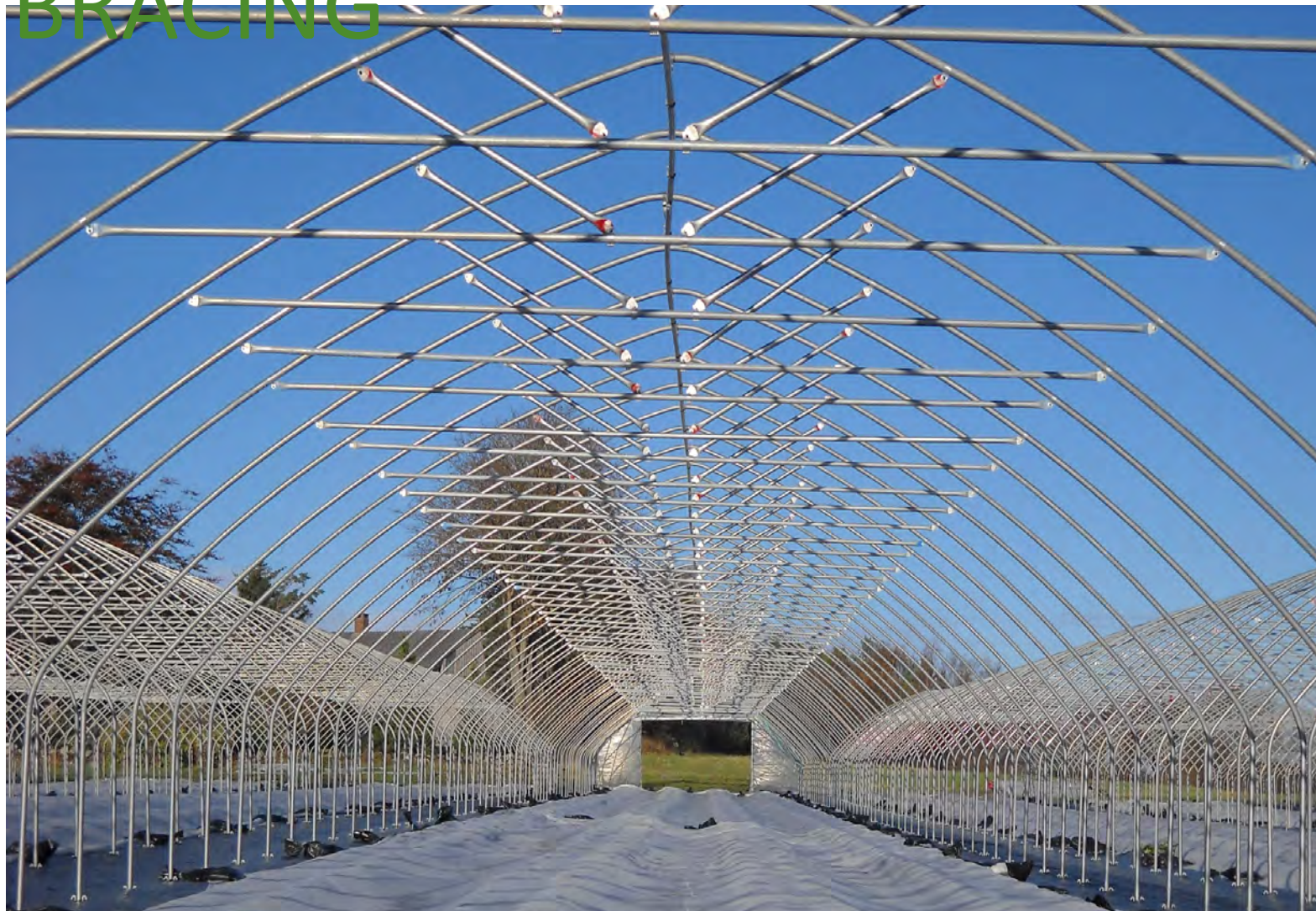


- HSO80steel
- 6.5m – 9m bay
- Round or Gothic shape
- 500mm to 1750mm vertical side
- 1 piece hoop

Solo HSO 750 Gothic



SNOW BRACING



Gable, side & Door Venting



Our substrate Systems

Table tops

Ground level beds



Table top strawberries



Haygrove gutter Machine



Table top gutter – a130

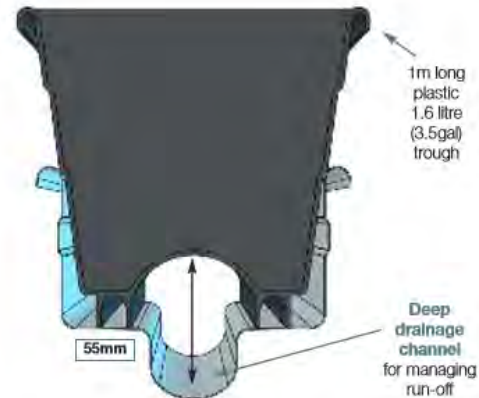
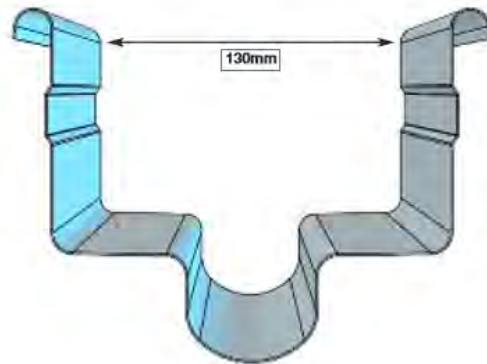
Single Drain Gutter

Specifically designed to be used with 1m (3'3") 16 litre (3.5gal) troughs, the single drain profile uses less steel and means that the cost of bag handling and recycling can be removed. In addition, the grower can purchase the substrate media in bulk and reduce labour costs with fast filling and emptying of troughs.

The single drain gutter is also the best option for growers wanting to deploy a triple upper layer for intensive growing systems. Being narrower the gutter will reduce the impact of shading on the lower layers of plants.



1m x 16 litre trough



1m long
plastic
1.6 litre
(3.5gal)
trough

Deep
drainage
channel
for managing
run-off

1m troughs in a130



Adjustable truss supports



Adjustable truss supports



Ground level substrate beds



Ground level substrate beds



Ground level substrate beds



Offering Exceptional longevity, aeration and logistics savings vs traditional substrates, coir is becoming the growth medium of choice for many skilled growers



For

Growers



By

Growers



Thank you!

